



TF120

Blister packaging machine



TF120

Blister packaging machine

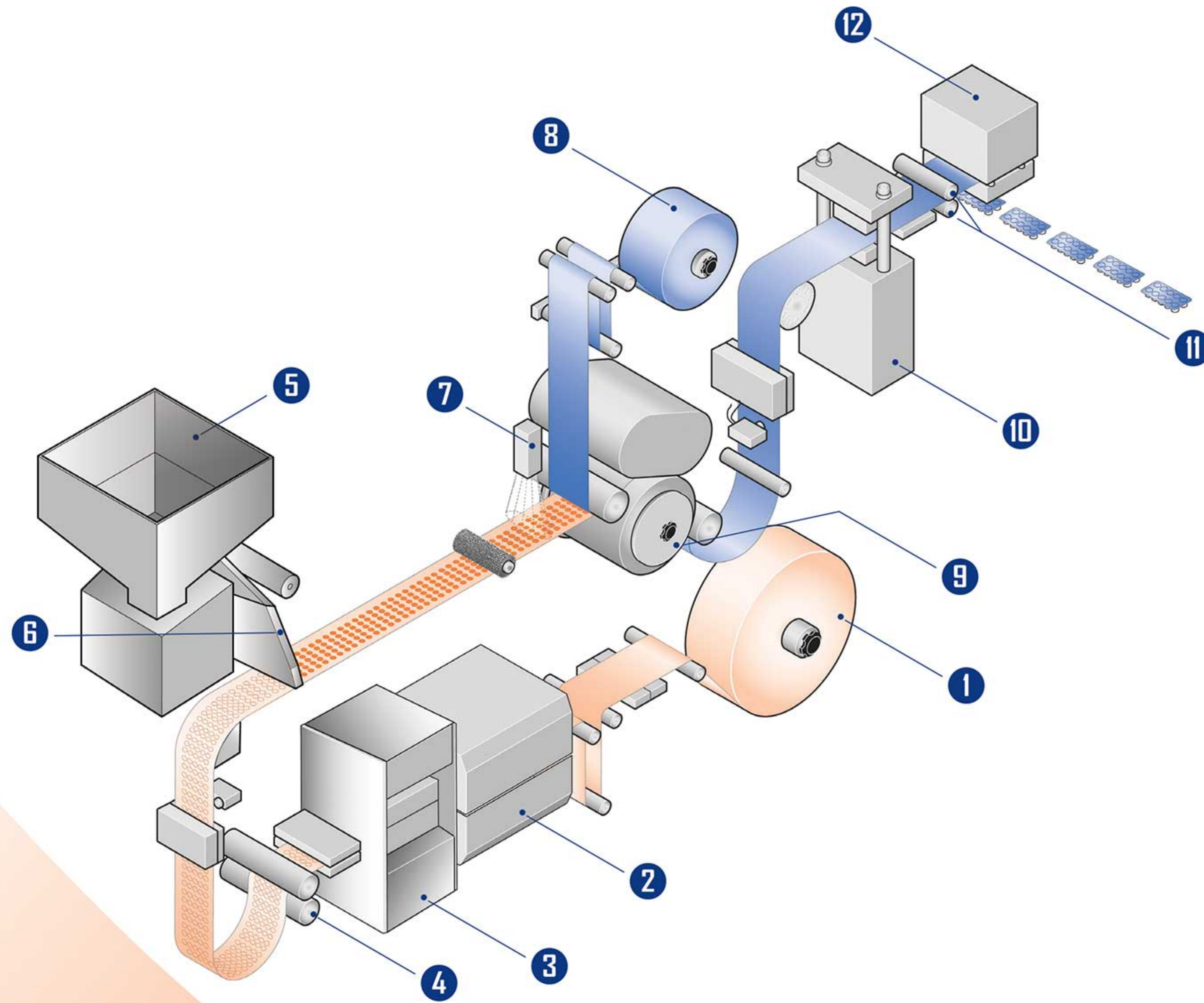
Roller sealing automatic blister machine suitable for the production of small batches, up to 180 blisters/min (depending on blister size and packaging material). Ultra-compact and easy to fit in small spaces, the TF120 is designed in accordance with GMP standards, with a stainless steel balcony construction and technologically advanced features, despite its small size.

HIGHLIGHTS

- ✓ Roller sealing machine
- ✓ Balcony style
- ✓ Ideal for small batches and frequent size changeover
- ✓ Servo-driven working units
- ✓ Remote support capability
- ✓ Blister outfeed belt in-line or 90° for a flexible connection to the cartoning machine

TECHNICAL SPECIFICATIONS

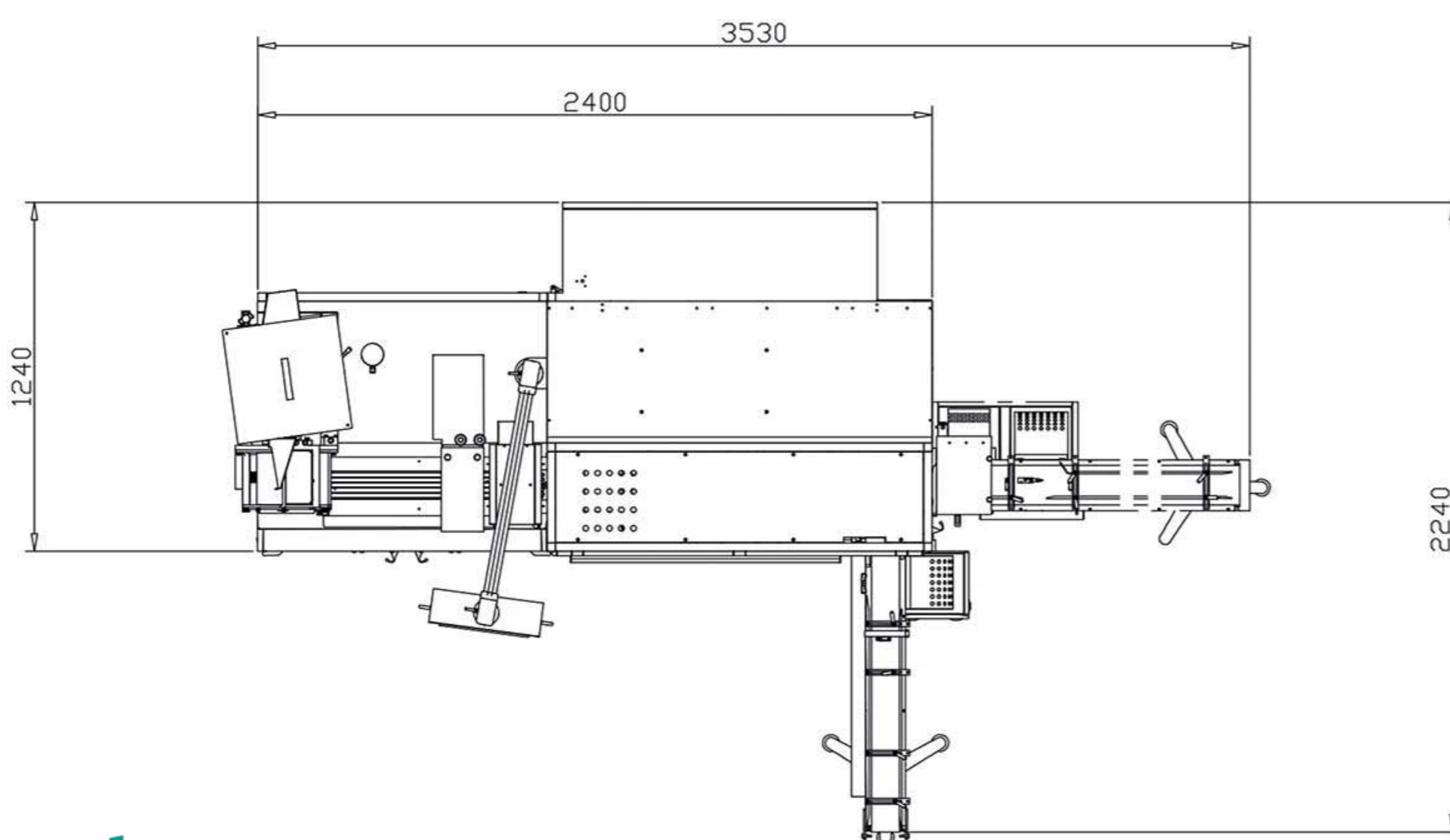
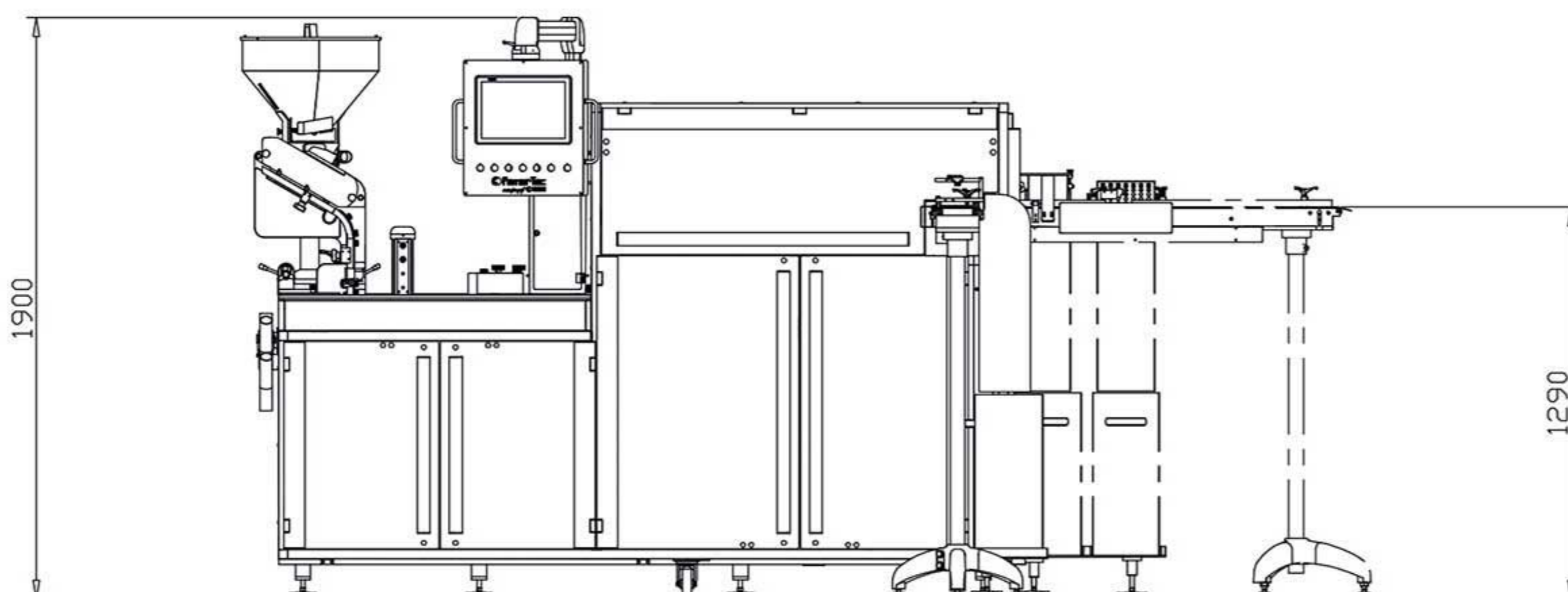
PRODUCTION SPEED	Up to 60 cycles / minute
FORMING MATERIALS	PVC • PVC-PVDC • PVC-PE-PVDC • PVC-ACLAR • PP • PET • COC • OPA-ALU-PVC
LIDDING MATERIALS	HARD ALU • SOFT ALU • PAPER-ALU • PAPER-PET-ALU • TYVEK
FORMING AREA	Pitch 150 mm - Web 160 mm
MAX FORMING DEPTH	12 mm
REEL DIAMETER	max 500 mm (forming material) max 250 mm (lidding material)
APPROX. WEIGHT	kg 2000



- 1 Forming material reel
- 2 Pre-heating unit for hot forming
- 3 Forming unit
- 4 Strip dragging rollers
- 5 Pre-feeding hopper
- 6 Track feeder
- 7 Product presence and blister conformity checking device
- 8 Lidding material reel
- 9 Sealing roller
- 10 lister coding / pre-cutting unit
- 11 Strip dragging rollers
- 12 Blister cutting unit



LAYOUT



+48 668 625 820
info@atbgroup.pl
www.atbgroup.pl



Via Stelloni 39 F/G - 40010 Sala Bolognese (BO)

Tel. + 39(0) 51 - 681.52.43

Fax +39 (0) 51 - 687.31.65

www.famartecsrl.com

